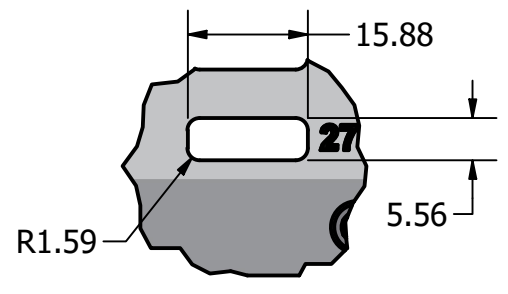
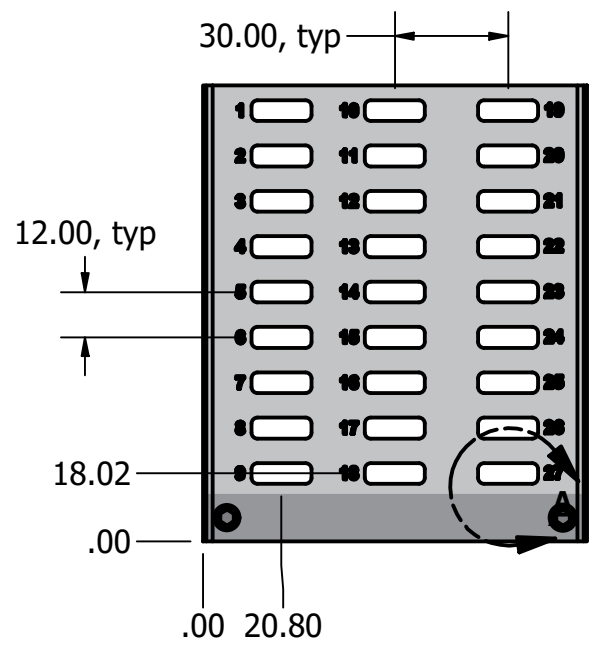
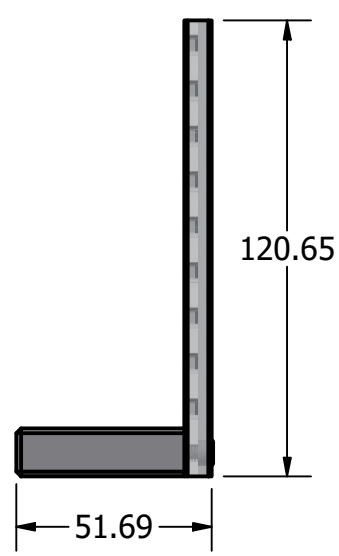
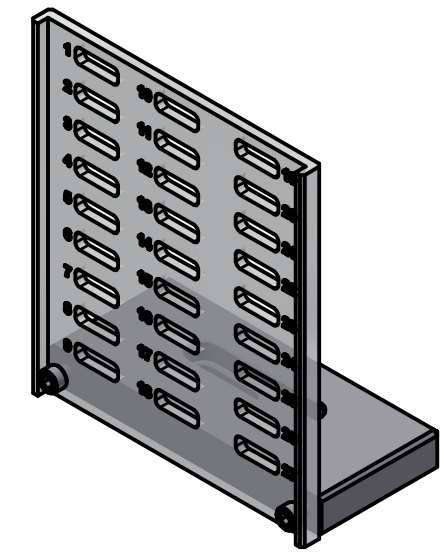



Ø6.76
(clear for 1/4"-20)



DETAIL A
SCALE 2X

DRAWN BY Michael Pape 8/17/2020		 Advanced Photon Source	
Extension: 2-0591			
PROJECT		REV	
Cost Code:	DRAWING NAME 27-slot Sample Holder Assembly.dwg		MATERIAL Clear plastic
Size A	SCALE 1 / 2	UNITS mm	SHEET 1 OF 1